



Paulmann

### Safety Instructions

1, 2, 3, 4, 5, 6, 7, 10, 12, 13, 14, 15, 16, 19, 20, 21, 22, 24, 28, 33, 34



31.08.2021



A++ - A

01.09.2021



G



www.paulmann.com/symbols

Paulmann Licht GmbH  
Quezinger Feld 2  
31832 Springe  
Germany



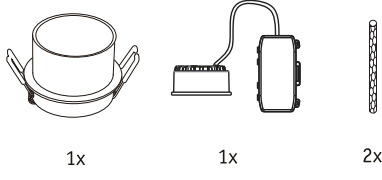
www.paulmann.com

Art.-Nr.: 933.76  
933.77\_933.78  
933.79\_933.80  
933.81\_933.82  
933.83\_933.84  
933.85

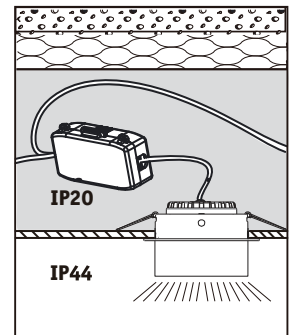
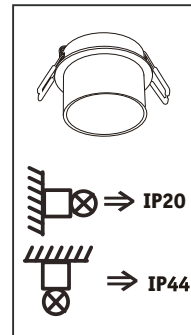
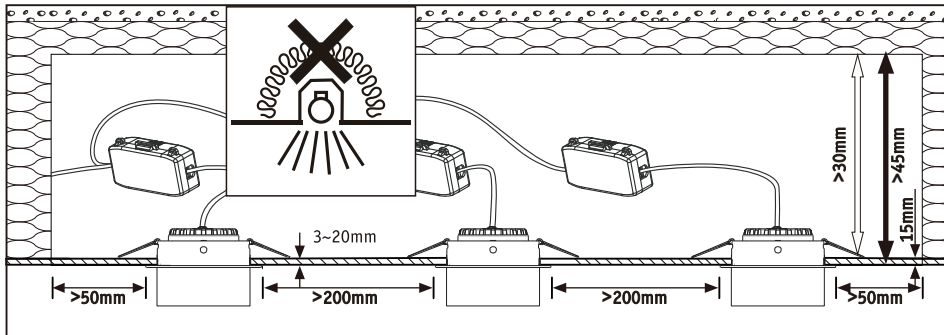
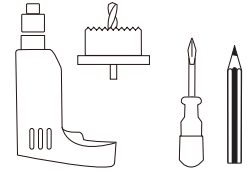
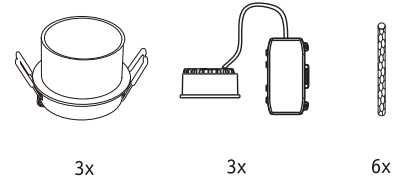
(+MA326) PGE 06/22



933.76\_933.78  
933.80\_933.82  
933.84



933.77\_933.79  
933.81\_933.83  
933.85



**A** Safety Instructions Nr. 1, 4, 5, 7 off

ø 62mm

**B**

**C**

a. Ø8-12mm 7mm 14mm

b. Nr. 3, 4, 5, 6

**D**

**E**

**F**

on

on - off - on  
1s ≤ T ≤ 5s

! X

---

! ✓

OK

**470 lm**  
**6W**  
**230V**  
warm white  
**2700K**  
CRI/Ra ≥ 80

ON OFF

~30x 1.000h

6 kWh/1000h

ø51mm

Lumen LMN < 1 s

**390093690**

