



Paulmann

IP20



Info

www.paulmann.com

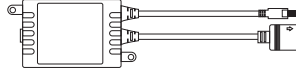
Paulmann Licht GmbH
Quezinger Feld 2
31832 Springe
Germany

www.paulmann.com

Art.-Nr.: 709.17



PLIR 09/20



1x

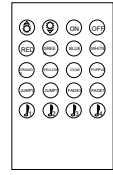


1x



Li-Ion

1x

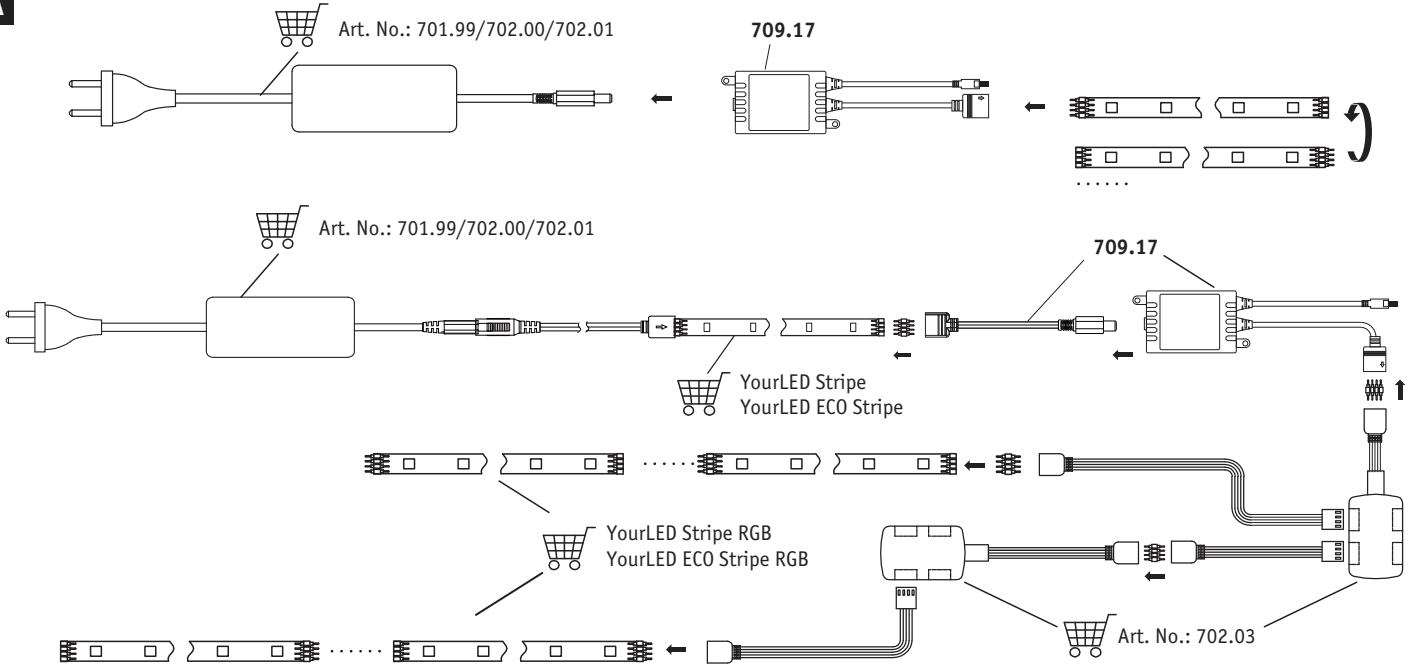


1x

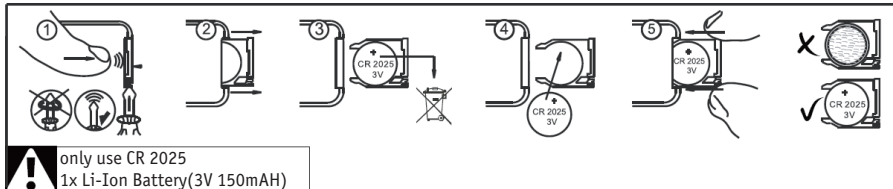
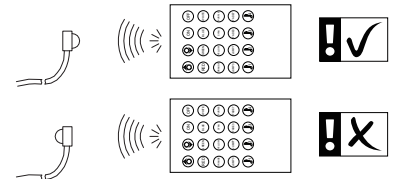
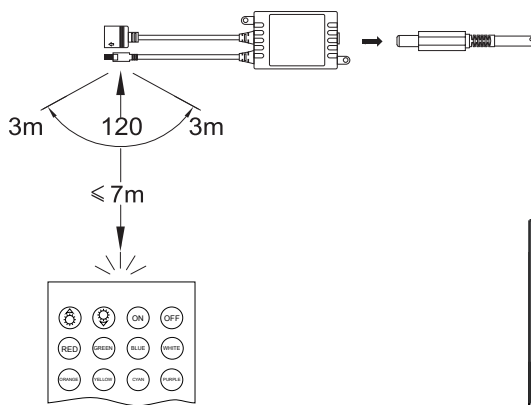


1x

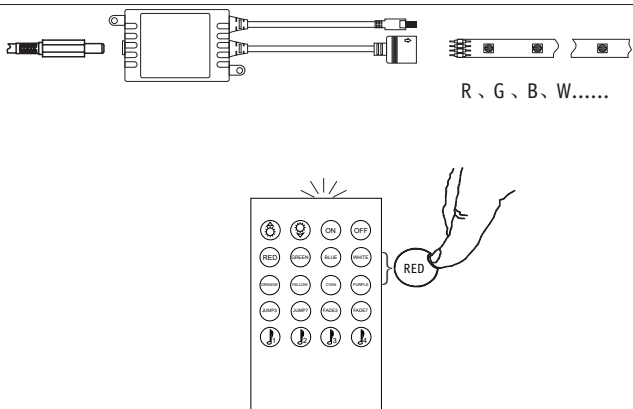
A



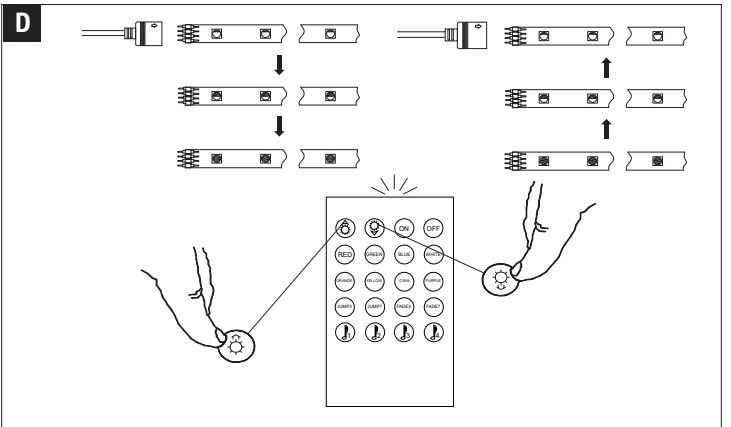
B

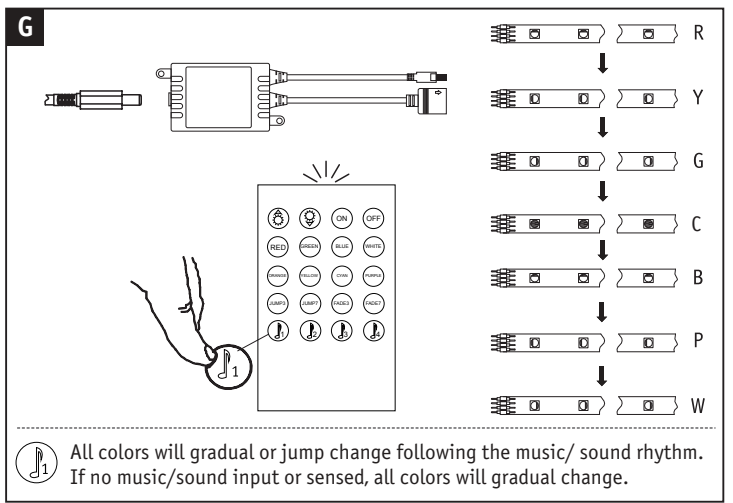
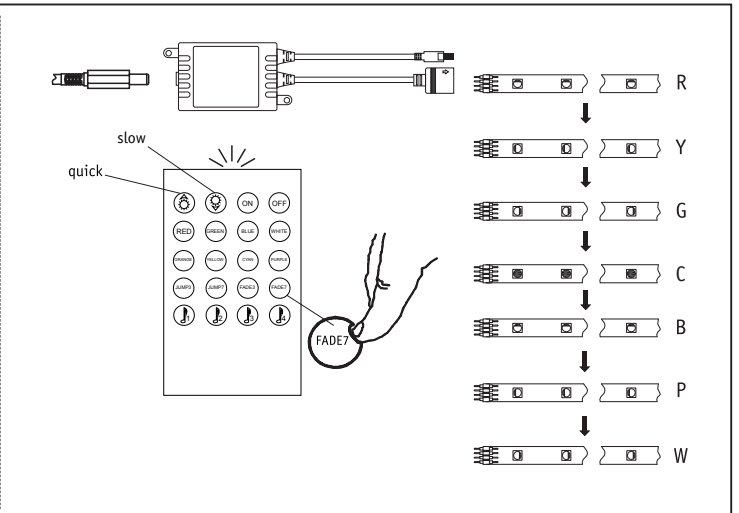
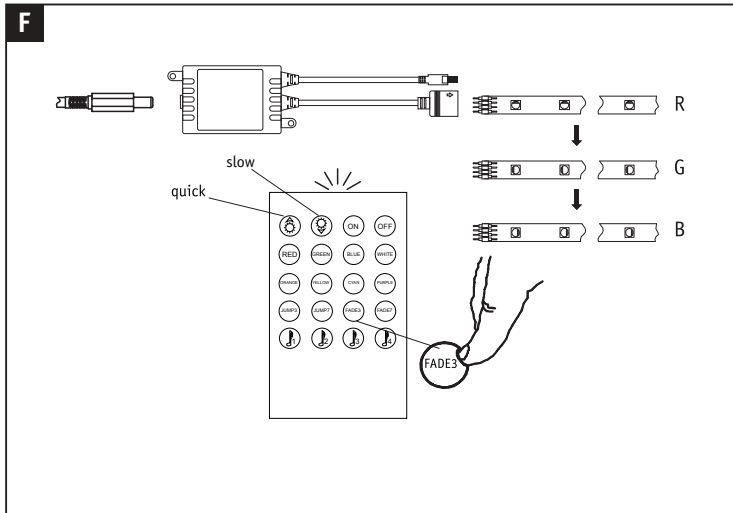
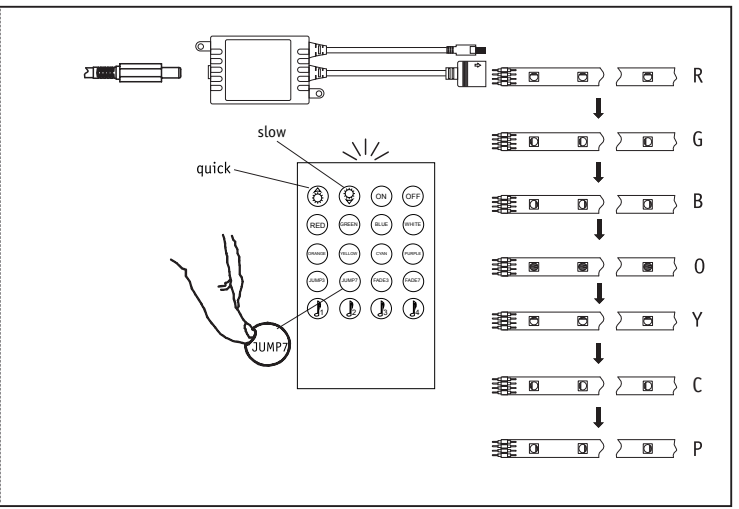
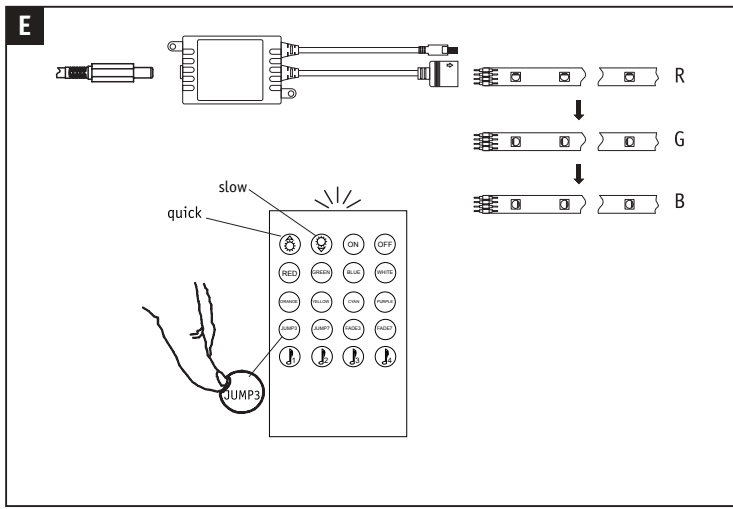


C

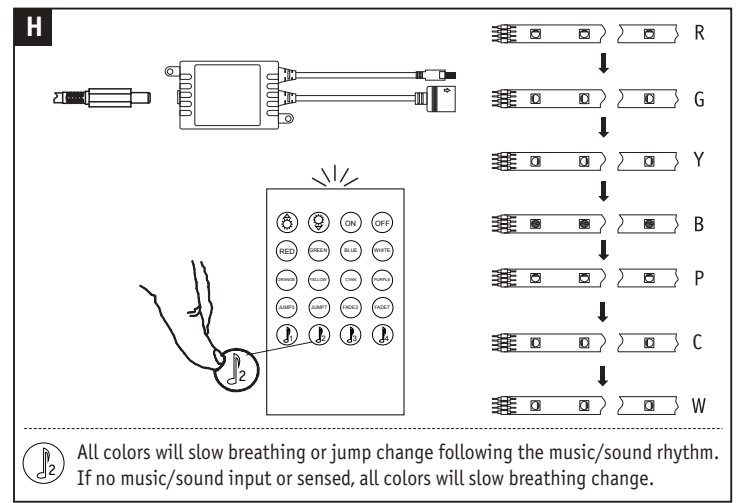


D

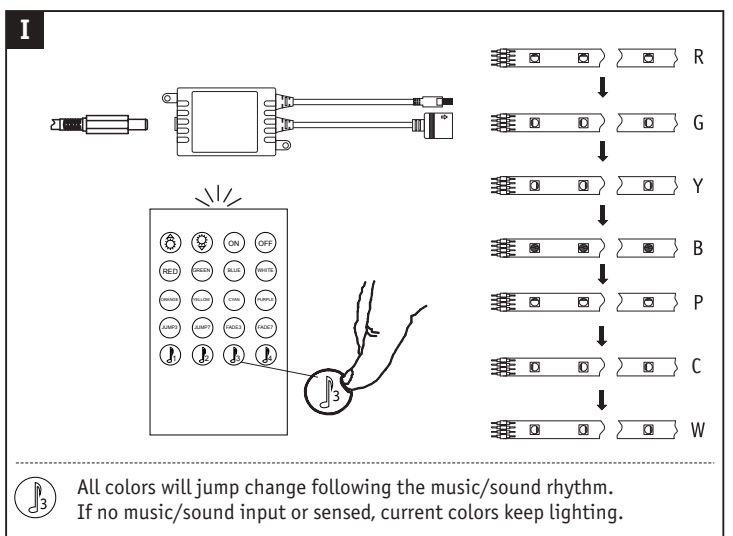




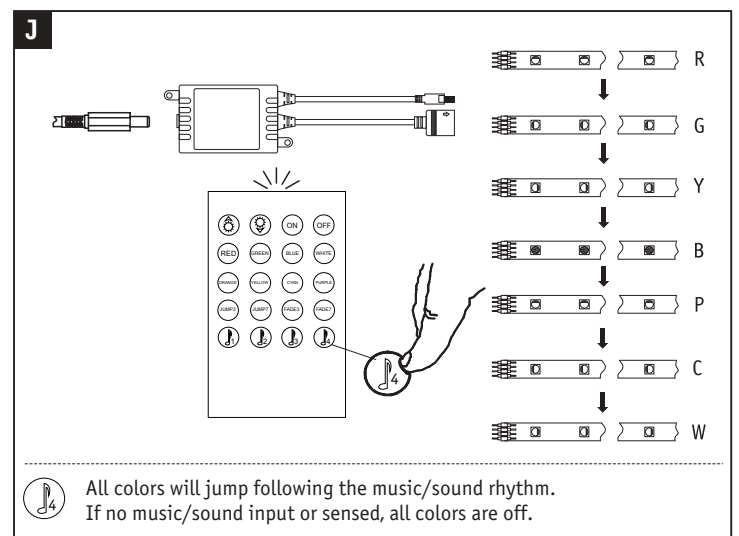
J1 All colors will gradual or jump change following the music/ sound rhythm. If no music/sound input or sensed, all colors will gradual change.



J2 All colors will slow breathing or jump change following the music/sound rhythm. If no music/sound input or sensed, all colors will slow breathing change.



J3 All colors will jump change following the music/sound rhythm. If no music/sound input or sensed, current colors keep lighting.



J4 All colors will jump following the music/sound rhythm. If no music/sound input or sensed, all colors are off.